

पेटेंट कार्यालय  
शासकीय जर्नल

OFFICIAL JOURNAL  
OF  
THE PATENT OFFICE

---

---

निर्गमन सं. 21/2022

ISSUE NO. 21/2022

शुक्रवार

FRIDAY

दिनांक: 27/05/2022

DATE: 27/05/2022

---

---

पेटेंट कार्यालय का एक प्रकाशन  
PUBLICATION OF THE PATENT OFFICE

(12) PATENT APPLICATION PUBLICATION

(21) Application No.202221007261 A

(19) INDIA

(22) Date of filing of Application :11/02/2022

(43) Publication Date : 27/05/2022

(54) Title of the invention : A TISSUE BASED STUDY FOR ANALYZING THE EFFECT OF DRUGS APPLIED EXTERNALLY

(51) International classification :A61K000900000, G06K0009620000, G01N003350000, G16H020100000,  
A61K000960000  
(86) International Application No :NA  
Filing Date :NA  
(87) International Publication No :NA  
(61) Patent of Addition to Application Number :NA  
Filing Date :NA  
(62) Divisional to Application Number :NA  
Filing Date :NA

(71)Name of Applicant :  
1)RAHUL SHIVAJI ADNAIK  
Address of Applicant :ASSOCIATE PROFESSOR, DEPARTMENT OF PHARMACOLOGY, ANANDI PHARMACY COLLEGE KALAMBE TARF KALE, KOLHAPUR 416005, MAHARASHTRA -----  
2)SACHIN ASHOK PISHAWIKAR  
3)PRATIBHA RAHUL ADNAIK  
4)RUTUJA RAJENDRA SHAH  
5)ROHAN RAJNIKANT VAKHARIYA  
6)VYANKATESH RAVINDRA DHARANGUTTIKAR  
7)SWAPNALI ASHOK THORAT  
8)NEHA SHAMRAO SALUNKHE  
9)PRIYANKA AVINASH SAMUDRE  
10)AMOL MANIK PATIL  
Name of Applicant : NA  
Address of Applicant : NA  
(72)Name of Inventor :  
1)RAHUL SHIVAJI ADNAIK  
Address of Applicant :ASSOCIATE PROFESSOR, DEPARTMENT OF PHARMACOLOGY, ANANDI PHARMACY COLLEGE KALAMBE TARF KALE, KOLHAPUR 416005, MAHARASHTRA -----  
2)SACHIN ASHOK PISHAWIKAR  
Address of Applicant :PRINCIPAL, ANANDI PHARMACY COLLEGE KALAMBE TARF KALE, KOLHAPUR 416005, MAHARASHTRA -----  
3)PRATIBHA RAHUL ADNAIK  
Address of Applicant :ASSISTANT PROFESSOR, DEPARTMENT OF PHARMACEUTICAL CHEMISTRY, ANANDI PHARMACY COLLEGE KALAMBE TARF KALE, KOLHAPUR 416005 MAHARASHTRA -----  
4)RUTUJA RAJENDRA SHAH  
Address of Applicant :ASSISTANT PROFESSOR DEPARTMENT OF PHARMACEUTICS ANANDI PHARMACY COLLEGE KALAMBE TARF KALE KOLHAPUR 416005 MAHARASHTRA -----  
5)ROHAN RAJNIKANT VAKHARIYA  
Address of Applicant :ASSISTANT PROFESSOR DEPARTMENT : PHARMACEUTICAL CHEMISTRY RAJARAMBAPU COLLEGE OF PHARMACY, KASEGAON, TALUKA- WALWA, DISTRICT-SANGLI, MAHARASHTRA -----  
6)VYANKATESH RAVINDRA DHARANGUTTIKAR  
Address of Applicant :ASSISTANT PROFESSOR DEPARTMENT OF PHARMACEUTICAL CHEMISTRY RAJARAMBAPU COLLEGE OF PHARMACY, KASEGAON SANGLI -----  
7)SWAPNALI ASHOK THORAT  
Address of Applicant :ASSISTANT PROFESSOR DEPARTMENT OF PHARMACEUTICAL CHEMISTRY , BHARATI VIDYATEETH COLLEGE OF PHARMACY, KOLHAPUR -----  
8)NEHA SHAMRAO SALUNKHE  
Address of Applicant :ASSISTANT PROFESSOR, DEPARTMENT OF QUALITY ASSURANCE AND TECHNIQUES, WOMENS COLLEGE OF PHARMACY, PETH-VADGAON -----  
9)PRIYANKA AVINASH SAMUDRE  
Address of Applicant :ASSISTANT PROFESSOR, DEPARTMENT OF QUALITY ASSURANCE AND TECHNIQUES, WOMENS COLLEGE OF PHARMACY, PETH-VADGAON -----  
10)AMOL MANIK PATIL  
Address of Applicant :LECTURER, S. D. PATIL INSTITUTE OF PHARMACY, ISLAMPUR, SANGLI -----

(57) Abstract :  
A tissue-based study for analyzing the effect of drug applied externally is the proposed invention that tries to understand the advantages of topical application of medications. The invention compares the results of both topically treated images and oral medication images using pattern recognition to know the benefits and advantages of topical creams. The proposed invention will help to better understand the medicines and their compositions.

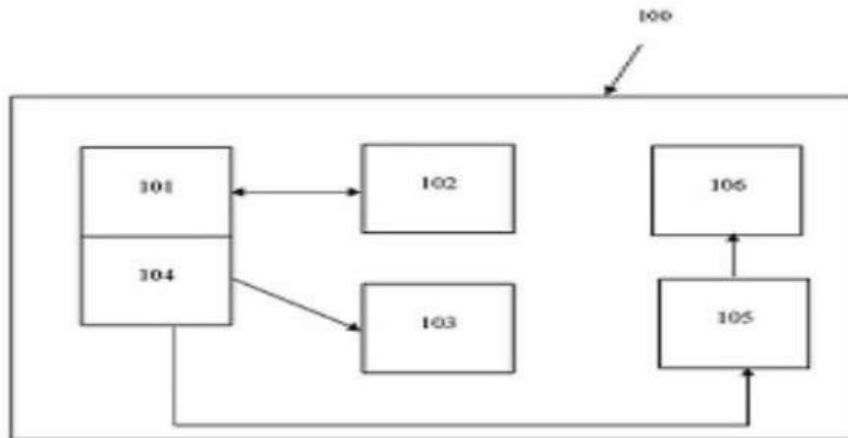


Fig 1: Block Diagram

No. of Pages : 11 No. of Claims : 4

<b>FORM 1</b> <b>THE PATENTS ACT, 1970</b> <b>(39 of 1970)</b> <b>&amp;</b> <b>THE PATENTS RULES, 2003</b> <b>APPLICATION FOR GRANT OF PATENT</b> <b>[See sections 7,54 &amp; 135 and rule 20(1)]</b>	<b>(FOR OFFICE USE ONLY)</b>  <b>Application No.:</b> ..... <b>Filing Date:</b> ..... <b>Amount of Fee Paid:</b> ..... <b>CBR No.:</b> ..... <b>Signature:</b> .....
---	--

**1. APPLICANT(S):**

Sr.No.	Name	Nationality	Address	Country	State
1	RAHUL SHIVAJI ADNAIK	India	ASSOCIATE PROFESSOR, DEPARTMENT OF PHARMACOLOGY, ANANDI PHARMACY COLLEGE KALAMBE TARF KALE, KOLHAPUR 416005, MAHARASHTRA	India	Maharashtra
2	SACHIN ASHOK PISHAWIKAR	India	PRINCIPAL, ANANDI PHARMACY COLLEGE KALAMBE TARF KALE, KOLHAPUR 416005, MAHARASHTRA	India	Maharashtra
3	PRATIBHA RAHUL ADNAIK	India	ASSISTANT PROFESSOR, DEPARTMENT OF PHARMACEUTICAL CHEMISTRY, ANANDI PHARMACY COLLEGE KALAMBE TARF KALE, KOLHAPUR 416005 MAHARASHTRA	India	Maharashtra
4	RUTUJA RAJENDRA SHAH	India	ASSISTANT PROFESSOR DEPARTMENT OF PHARMACEUTICS ANANDI PHARMACY COLLEGE KALAMBE TARF KALE KOLHAPUR 416005 MAHARASHTRA	India	Maharashtra
5	ROHAN RAJNIKANT	India	ASSISTANT	India	Maharashtra

	VAKHARIYA		PROFESSOR DEPARTMENT: PHARMACEUTICAL CHEMISTRY RAJARAMBAPU COLLEGE OF PHARMACY, KASEGAON, TALUKA- WALWA, DISTRICT-SANGLI, MAHARASHTRA.		
6	VYANKATESH RAVINDRA DHARANGUTTIKAR	India	ASSISTANT PROFESSOR DEPARTMENT OF PHARMACEUTICAL CHEMISTRY RAJARAMBAPU COLLEGE OF PHARMACY, KASEGAON SANGLI	India	Maharashtra
7	SWAPNALI ASHOK THORAT	India	ASSISTANT PROFESSOR DEPARTMENT OF PHARMACEUTICAL CHEMISTRY , BHARATI VIDYAPEETH COLLEGE OF PHARMACY, KOLHAPUR	India	Maharashtra
8	NEHA SHAMRAO SALUNKHE	India	ASSISTANT PROFESSOR, DEPARTMENT OF QUALITY ASSURANCE AND TECHNIQUES, WOMENS COLLEGE OF PHARMACY, PETH-VADGAON	India	Maharashtra
9	PRIYANKA AVINASH SAMUDRE	India	ASSISTANT PROFESSOR, DEPARTMENT OF QUALITY ASSURANCE AND TECHNIQUES, WOMENS COLLEGE OF PHARMACY, PETH-VADGAON	India	Maharashtra
10	AMOL MANIK PATIL	India	LECTURER, S. D. PATIL INSTITUTE OF PHARMACY, ISLAMPUR, SANGLI	India	Maharashtra

## 2. INVENTOR(S):

			CHEMISTRY RAJARAMBAPU COLLEGE OF PHARMACY, KASEGAON SANGLI		
7	SWAPNALI ASHOK THORAT	India	ASSISTANT PROFESSOR DEPARTMENT OF PHARMACEUTICAL CHEMISTRY , BHARATI VIDYAPEETH COLLEGE OF PHARMACY, KOLHAPUR	India	Maharashtra
8	NEHA SHAMRAO SALUNKHE	India	ASSISTANT PROFESSOR, DEPARTMENT OF QUALITY ASSURANCE AND TECHNIQUES, WOMENS COLLEGE OF PHARMACY, PETH-VADGAON	India	Maharashtra
9	PRIYANKA AVINASH SAMUDRE	India	ASSISTANT PROFESSOR, DEPARTMENT OF QUALITY ASSURANCE AND TECHNIQUES, WOMENS COLLEGE OF PHARMACY, PETH-VADGAON	India	Maharashtra
10	AMOL MANIK PATIL	India	LECTURER, S. D. PATIL INSTITUTE OF PHARMACY, ISLAMPUR, SANGLI	India	Maharashtra

**3. TITLE OF THE INVENTION: A TISSUE BASED STUDY FOR ANALYZING THE EFFECT OF DRUGS APPLIED EXTERNALLY**

**4. ADDRESS FOR CORRESPONDENCE OF APPLICANT / Telephone No.:**  
**AUTHORISED PATENT AGENT IN INDIA: Fax No.:**

No 325 17th Main B Block 3rd Stage Vijayanagar Mysuru  
570030

Mobile No: 9538377433

E-mail: sgowthami12@gmail.com

**5. PRIORITY PARTICULARS OF THE APPLICATION(S) FILED IN CONVENTION COUNTRY:**

Sr.No.	Country	Application Number	Filing Date	Name of the Applicant	Titile of the Invention
--------	---------	--------------------	-------------	-----------------------	-------------------------

**6. PARTICULARS FOR FILING PATENT COOPERATION TREATY (PCT) NATIONAL PHASE APPLICATION:**

International Application Number	International Filing Date as Allotted by the Receiving Office
PCT//	

**7. PARTICULARS FOR FILING DIVISIONAL APPLICATION**

Original (first) Application Number	Date of Filing of Original (first) Application

**8. PARTICULARS FOR FILING PATENT OF ADDITION:**

Main Application / Patent Number:	Date of Filing of Main Application

**9. DECLARATIONS:****(i) Declaration by the inventor(s)**

I/We ,RAHUL SHIVAJI ADNAIK,SACHIN ASHOK PISHAWIKAR,PRATIBHA RAHUL ADNAIK,RUTUJA RAJENDRA SHAH,ROHAN RAJNIKANT VAKHARIYA,VYANKATESH RAVINDRA DHARANGUTTIKAR,SWAPNALI ASHOK THORAT,NEHA SHAMRAO SALUNKHE,PRIYANKA AVINASH SAMUDRE,AMOL MANIK PATIL, is/are the true & first inventor(s) for this invention and declare that the applicant(s) herein is/are my/our assignee or legal representative.

(a) Date: -----

(b) Signature(s) of the inventor(s): .....

(c) Name(s): RAHUL SHIVAJI ADNAIK,SACHIN ASHOK PISHAWIKAR,PRATIBHA RAHUL ADNAIK,RUTUJA RAJENDRA SHAH,ROHAN RAJNIKANT VAKHARIYA,VYANKATESH RAVINDRA DHARANGUTTIKAR,SWAPNALI ASHOK THORAT,NEHA SHAMRAO SALUNKHE,PRIYANKA AVINASH SAMUDRE,AMOL MANIK PATIL

**(ii) Declaration by the applicant(s) in the convention country**

I/We, the applicant(s) in the convention country declare that the applicant(s) herein is/are my/our assignee or legal representative.

(a) Date: -----

(b) Signature(s) : .....

(c) Name(s) of the signatory: RAHUL SHIVAJI ADNAIK,SACHIN ASHOK PISHAWIKAR,PRATIBHA RAHUL ADNAIK,RUTUJA RAJENDRA SHAH,ROHAN RAJNIKANT VAKHARIYA,VYANKATESH RAVINDRA DHARANGUTTIKAR,SWAPNALI ASHOK THORAT,NEHA SHAMRAO SALUNKHE,PRIYANKA AVINASH SAMUDRE,AMOL MANIK PATIL

**(iii) Declaration by the applicant(s)**

- **The Complete specification relationg to the invention is filed with this application.**
- **I am/We are, in the possession of the above mentioned invention.**
- **There is no lawful ground of objection to the grant of the Patent to me/us.**

10. FOLLOWING ARE THE ATTACHMENTS WITH THE APPLICATION:

Sr.	Document Description	FileName
-----	----------------------	----------

I/We hereby declare that to the best of my/our knowledge, information and belief the fact and matters stated hereing are correct and I/We request that a patent may be granted to me/us for the said invention.

Dated this(Final Payment Date): -----

Signature: .....

Name: Gowthami S

To The Controller of Patents  
The Patent office at MUMBAI

This form is electronically generated.